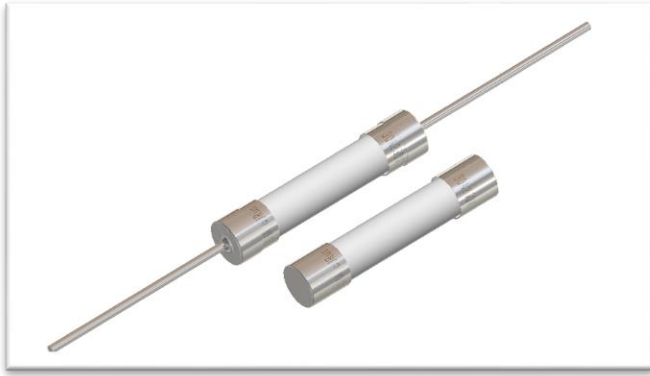


Type CHA

Fast-Acting Ceramic Tube Fuses



Description

12.5A to 40A, 125V/250V/660V in accordance to UL 248-1/UL 248-14 and IEC60127

Operating Temperature

-55°C~+125°C

Soldering Method

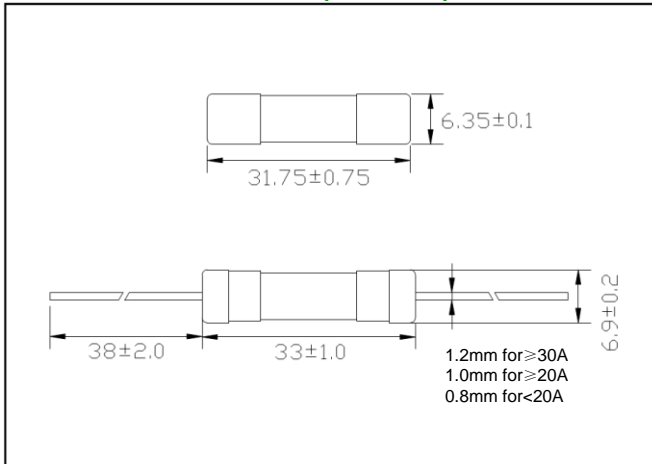
Wave soldering: 260°C, 10s max.

Manual soldering: 350°C, 5s max.

Packaging Option

Standard pack of 200pcs per box and 100pcs for Axial Lead

Mechanical Dimensions(Unit:mm)



Ordering Information

FUSE TYPE	CHA	2160	2	01
CHA				
AMPERE RATING				
16A(10 ² x160mA)				
VOLTAGE RATING				
6:660V 2:250V 1:125V				
COMPLEMENT				
00:Standard 01:Axial Lead				

Agency Approvals.

Safety Agency	Agency File Number	Ampere Range Volt@I.R.ABILITY
cURus	E485357	12.5A~40A 10kA@125V AC 12.5A~40A 1000A@250V AC 12.5A~40A 200A@660V AC
CE	Pending	12.5A~30A 20kA@500V AC

Electrical Characteristics for Series

% of Ampere Rating	Opening Time
100%	4 hour. Min
135%	1 hour. Max
200%	30 sec. Max

Electrical Characteristic Specifications by Item

Catalog Number	Ampere Rating(A)	Voltage Rating(V)	Breaking Capacity	Nominal Melting I ² t(A ² sec.)	Approvals	
					cURus	CE
CHA2125	12.5A	125V AC 250V AC 660V AC	10kA@125V AC 1000A@250V AC 200A@660V AC	152.10	●	○
CHA2150	15A			185.50	●	○
CHA2160	16A			195.10	●	○
CHA2200	20A			658.60	●	○
CHA2250	25A			2351.1	●	○
CHA2300	30A			4167.0	●	○
CHA2350	35A			4998.0	●	○
CHA2400	40A			8005.0	●	○

Packaging

Packaging Option	Packaging Specification	Quantity
Standard	N / A	200
Axial Lead	N / A	100